



Ersatzteile für Textilmaschinen  
Spare parts for textile machines

**LEGROM**<sup>®</sup>  
[www.legrom.com](http://www.legrom.com)

*News*

## PEG TRAY SYSTEM for Zinser Ring Spinning Machines



Made in Germany

# PEG TRAY SYSTEM

News

for Zinser Ring Spinning Machines  
(350, 351, 420, 450, 451 etc.)

Abweiser  
Deflector

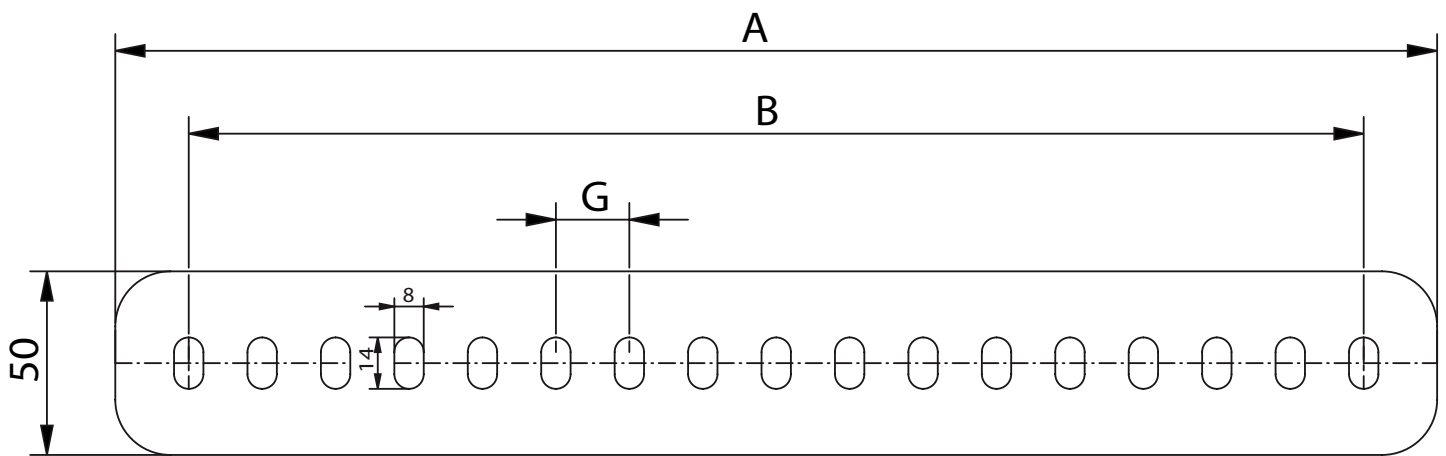


# PEG TRAY SYSTEM

News

for Zinser Ring Spinning Machines  
(350, 351, 420, 450, 451 etc.)

## Transportbänder Conveyor Tapes



A Gesamtlänge / total length

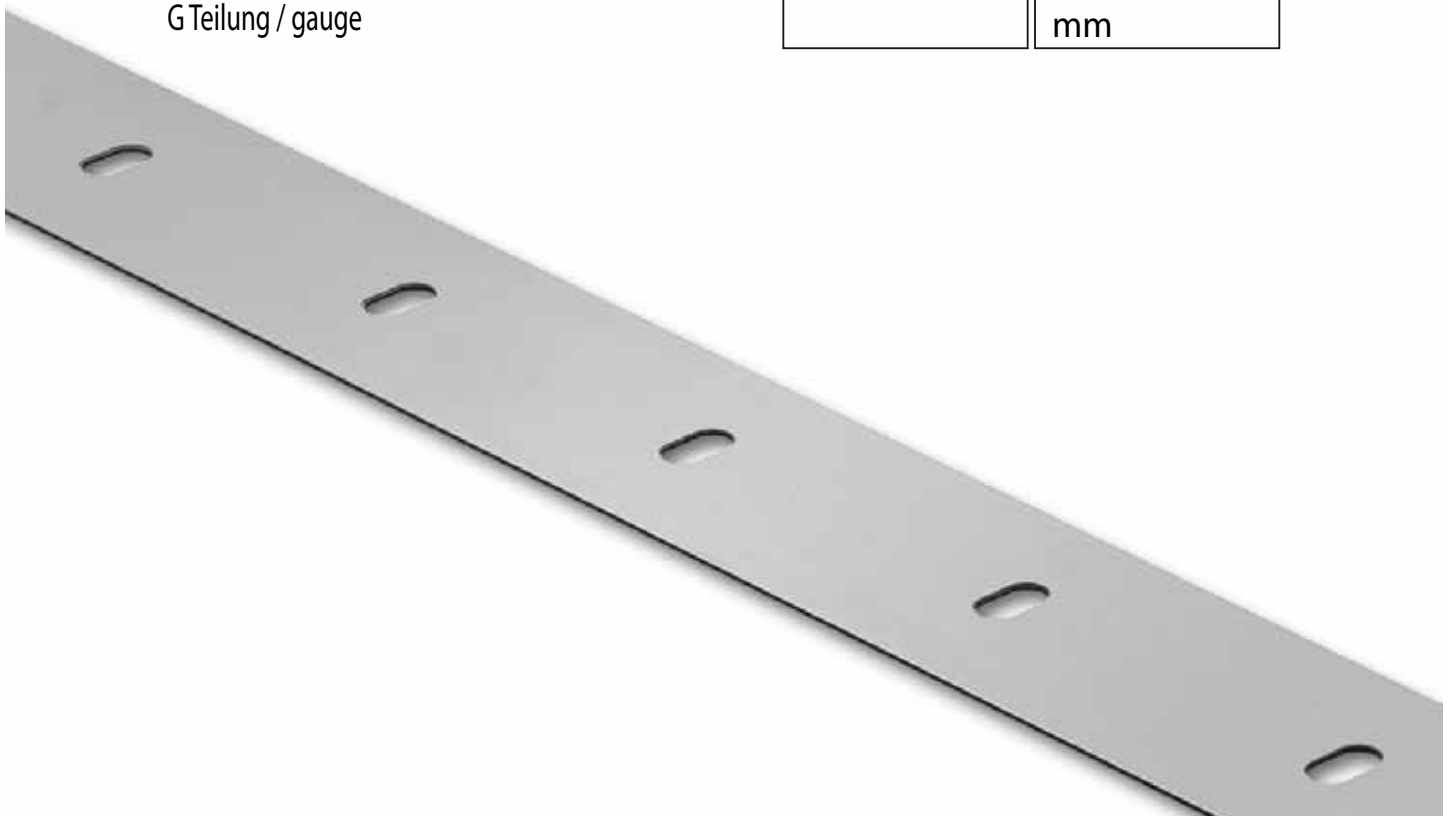
	mm
--	----

B Anzahl Löcher / quantity of holes

	Stk./pcs.
--	-----------

G Teilung / gauge

	mm
--	----

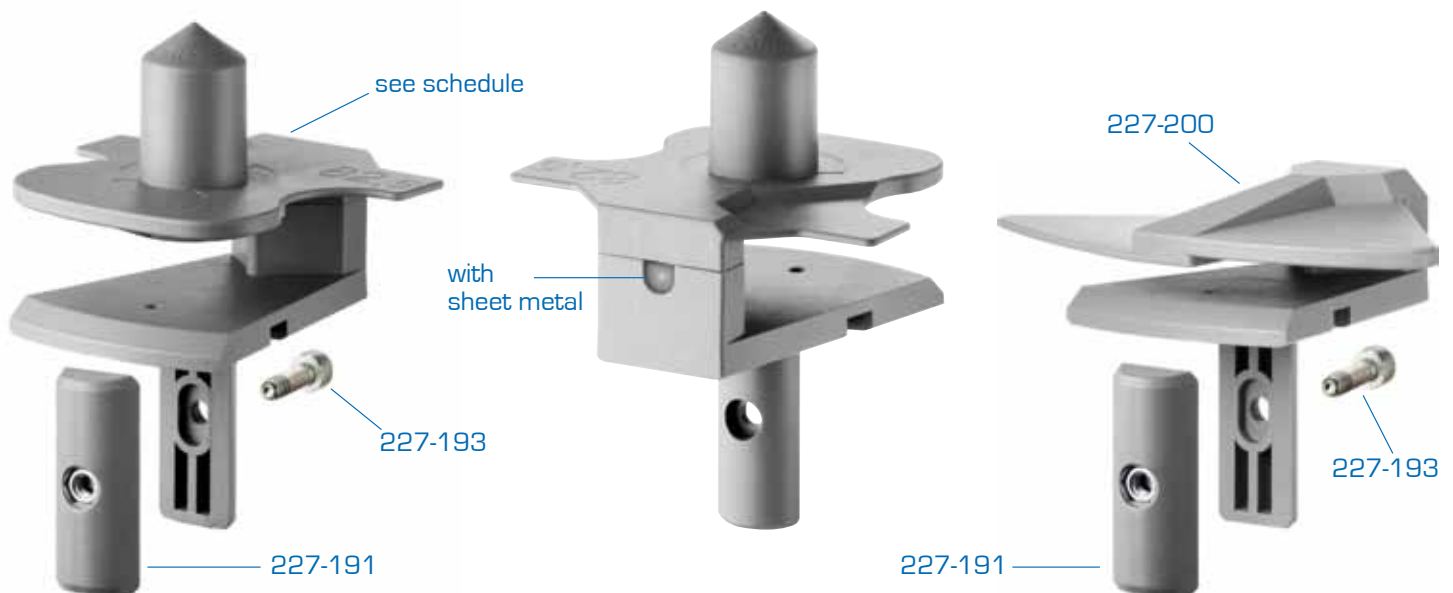


# PEG TRAY SYSTEM

News

for Zinser Ring Spinning Machines  
(350, 351, 420, 450, 451 etc.)

Art. No.	Spindle distance + Peg Ø	Art. No.	Complete with sheet metal
227-100	Mitnehmer / Driver 70 mm, Peg Ø 18,0 mm	227-110	with sheet metal
227-101	Mitnehmer / Driver 70 mm, Peg Ø 19,5 mm	227-111	with sheet metal
227-102	Mitnehmer / Driver 70 mm, Peg Ø 21,7 mm	227-112	with sheet metal
227-103	Mitnehmer / Driver 70 mm, Peg Ø 23,7 mm	227-113	with sheet metal
227-120	Mitnehmer / Driver 75 mm, Peg Ø 18,0 mm	227-130	with sheet metal
227-121	Mitnehmer / Driver 75 mm, Peg Ø 19,5 mm	227-131	with sheet metal
227-122	Mitnehmer / Driver 75 mm, Peg Ø 21,7 mm	227-132	with sheet metal
227-123	Mitnehmer / Driver 75 mm, Peg Ø 23,7 mm	227-133	with sheet metal
227-140	Mitnehmer / Driver 82,5 mm, Peg Ø 18,0 mm	227-150	with sheet metal
227-141	Mitnehmer / Driver 82,5 mm, Peg Ø 19,5 mm	227-151	with sheet metal
227-142	Mitnehmer / Driver 82,5 mm, Peg Ø 21,7 mm	227-152	with sheet metal
227-143	Mitnehmer / Driver 82,5 mm, Peg Ø 23,7 mm	227-153	with sheet metal
227-191	Druckstück / Thrust piece		
227-193	Zylinderschraube / Cheese head screw M5x15		
227-200	Abweiser / Deflector		



**LEGROM**  
www.legrom.com

Weitere Größen auf Anfrage.  
Further sizes upon request.

Legrom GmbH  
Kolpingstraße 9  
D-74523 Schwäbisch Hall  
Tel. +49 (0) 791 / 956688-0  
Fax +49 (0) 791 / 956688-10  
eMail info@legrom.de

Made in Germany